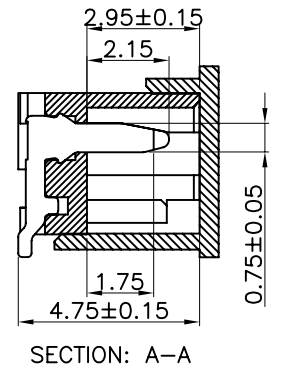
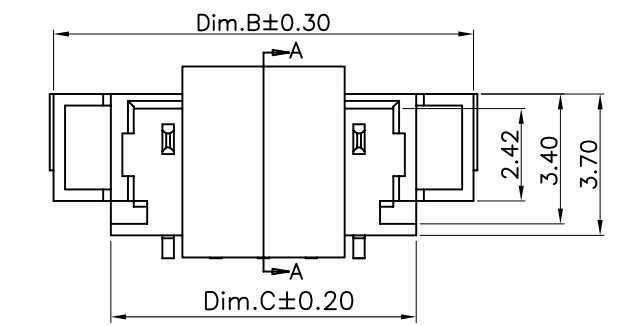
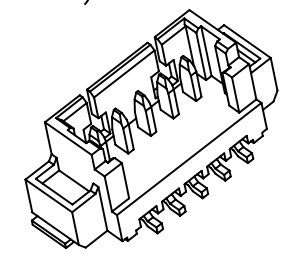




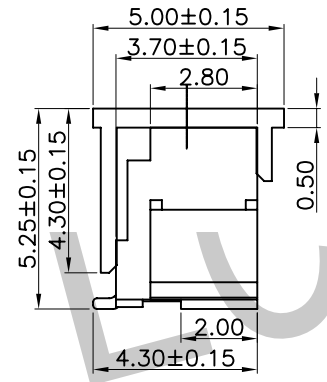
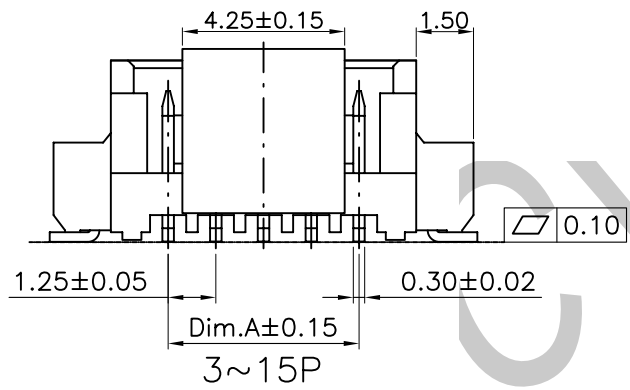
REVISIONS				
LTR	DESCRIPTION	DATE	DWN	APVD
A	RELEASED	01Jan16	AW	WK



Specifications:
 Current rating:1.0A AC,DC
 Voltage rating:125V AC,DC
 Contact resistance:20m ohm.Max
 Insulation resistance:100M ohm.Min
 Withstanding voltage:250V AC/minute
 Operating temperature range:-40°C~+85°C
 Material:
 Insulator:High Temp. Plastic(Nylon 46 UL94V-0)
 Insulator Color:White
 Contact:Phosphor Bronze
 Plated:Tin Plated
 Package:1500pcs/Reel

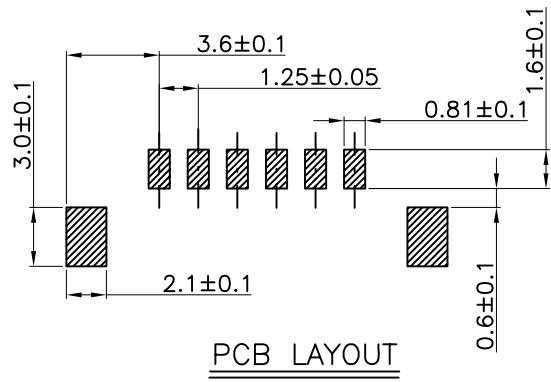


How To Order:
 YL028-010-0XX
 02 ; 1x2pin
 05 ; 1x5pin
 10 ; 1x10pin



Dimension:

Pos	DimA	DimB	DimC	Pos	DimA	DimB	DimC
2	1.25	7.25	4.25	9	10.00	16.00	13.00
3	2.50	8.50	5.50	10	11.25	17.25	14.25
4	3.75	9.75	6.75	11	12.50	18.50	15.50
5	5.00	11.00	8.00	12	13.75	19.75	16.75
6	6.25	12.25	9.25	13	15.00	21.00	18.00
7	7.50	13.50	10.50	14	16.25	22.25	19.25
8	8.75	14.75	11.75	15	17.50	23.50	20.50

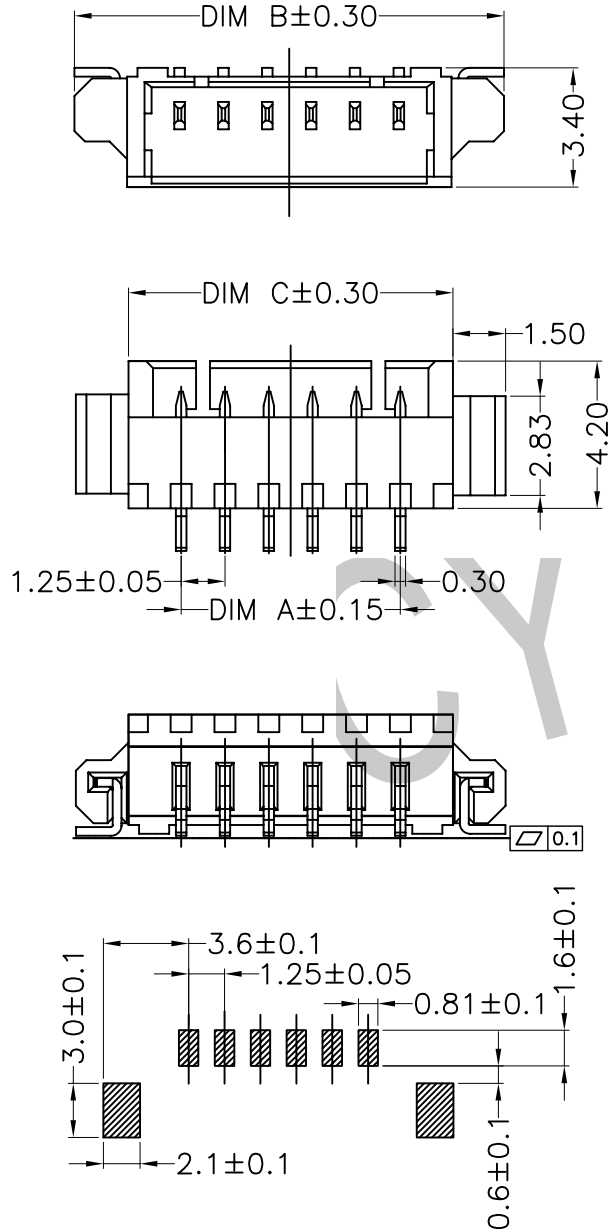


THIS DRAWING IS A CONTROLLED DOCUMENT.		DWN A. WU	01Jan2016	东莞市宇亮电子有限公司 DONG GUAN YU LIANG ELECTRONICS CO., LTD	
DIMENSIONS: mm		CHEK S. CHIEN	01Jan2016		
TOLERANCES UNLESS OTHERWISE SPECIFIED:		APVD Abel	01Jan2016	NAME 1.25mm Wafer Straight SMT Type	
0 PLC ± 0.50		PRODUCT SPEC	—	SIZE A4	DRAWING No. C=YL028-010
1 PLC ± 0.30		WEIGHT	—	CUSTOMER DRAWING	
2 PLC ± 0.20		SCALE 1 : 1		SHEET 1 OF 1	
3 PLC ± 0.15		THIRD ANGLE PROJECTION			
4 PLC ± -		ANGLES ± 3°			



REVISIONS				
LTR	DESCRIPTION	DATE	DWN	APVD
A	RELEASED	25Jan16	AW	WK

Specifications:
 Current rating:1.0A AC,DC
 Voltage rating:125V AC,DC
 Contact resistance:20m ohm.Max
 Insulation resistance:100M ohm.Min
 Withstanding voltage:250V AC/minute
 Operating temperature range:-40°C~+85°C
 Material:
 Insulator:High Temp. Plastic(LCP UL94V-0)
 Insulator Color:White
 Contact:Phosphor Bronze
 Plated:Tin Plated
 Package:1500pcs/Reel



Dimension:

Pos	DimA	DimB	DimC
2	1.25	7.55	4.25
3	2.50	8.80	5.50
4	3.75	10.05	6.75
5	5.00	11.30	8.00
6	6.25	12.55	9.25
7	7.50	13.80	10.50
8	8.75	15.05	11.75
9	10.00	16.30	13.00
10	11.25	17.55	14.25
11	12.50	18.80	15.50
12	13.75	20.05	16.75
13	15.00	21.30	18.00
14	16.25	22.55	19.25
15	17.50	23.80	20.50

THIS DRAWING IS A CONTROLLED DOCUMENT.		DWN A. WU 25Jan2016	东莞市宇亮电子有限公司 DONG GUAN YU LIANG ELECTRONICS CO.,LTD
DIMENSIONS: mm	TOLERANCES UNLESS OTHERWISE SPECIFIED:	CHEK S. CHIEN 25Jan2016	
THIRD ANGLE PROJECTION	0 PLC ± 0.50	APVD Abel 25Jan2016	NAME WAFER 1.25 R/A SMT TYPE
	1 PLC ± 0.30	PRODUCT SPEC	SIZE A4
	2 PLC ± 0.20	WEIGHT	DRAWING No. YL028-011-XXX
	3 PLC ± 0.15		SCALE 1 : 1
	4 PLC ± -		SHEET 1 of 1
	ANGLES ± 3°	CUSTOMER DRAWING	



REVISIONS

LTR	DESCRIPTION	DATE	DWN	APVD
A	RELEASED	25Jan16	AW	WK

NOTE :

1. MATERIAL:

HOUSING: PA66, UL 94V-0/V-2, WHITE COLOR .

TERMINAL: BRASS.

2. FINISH:

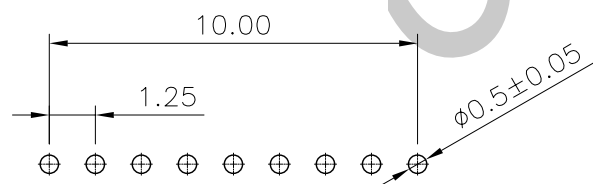
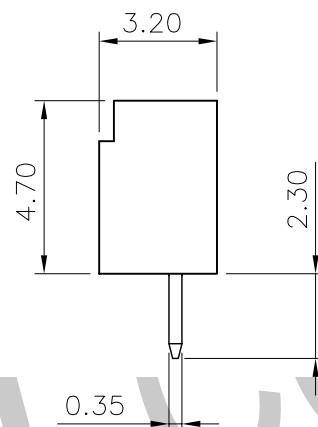
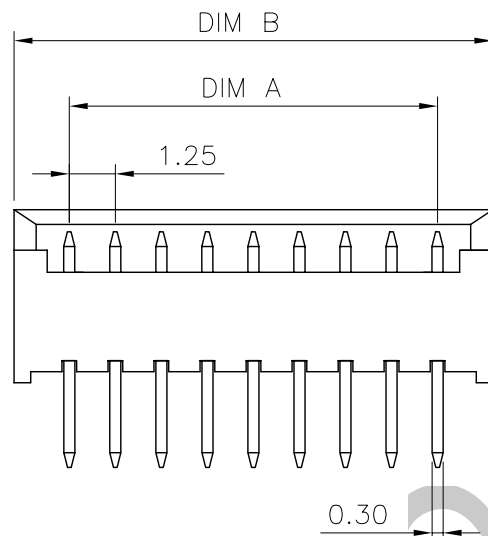
TERMINAL: 80u" MIN. TIN OVER 30u" MIN. NICKEL ON ENTIRE POST.

3. SPECIFICATION NOTES:

CONTACT RESISTANCE: 30 milliohms MAX.

CURRENT RATING: 1A .

DIELECTRIC WITHSTANDING VOLTAGE: 500V.



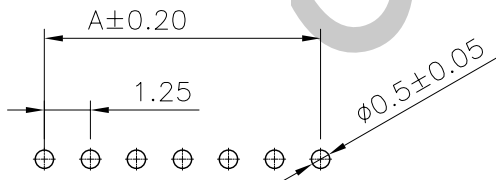
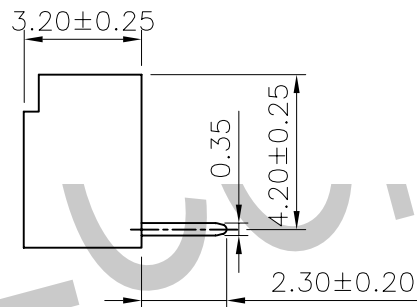
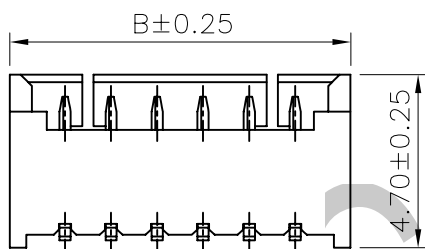
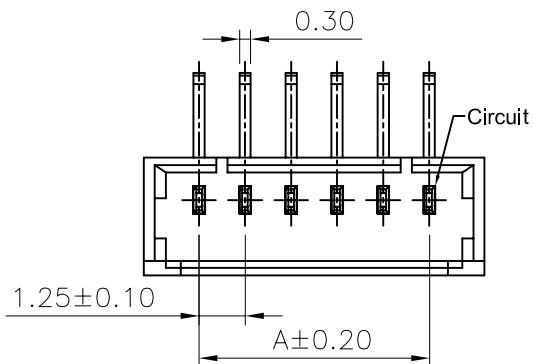
TOLERANCE: ± 0.05 , THICKNESS: 1.6mm
RECOMMENDED PCB LAYOUT
 (TOP VIEW)

20.75	18.75	1x15	YL028-030-025
-	-	-	-
14.25	11.25	1x10	YL028-030-010
13.00	10.00	1x9	YL028-030-009
11.75	8.75	1x8	YL028-030-008
10.50	7.50	1x7	YL028-030-007
9.25	6.25	1x6	YL028-030-006
8.00	5.00	1x5	YL028-030-005
6.75	3.75	1x4	YL028-030-004
5.50	2.50	1x3	YL028-030-003
4.25	1.25	1x2	YL028-030-002
DIM B	DIM A	PIN No.	PART NUMBER

THIS DRAWING IS A CONTROLLED DOCUMENT.		DWN A. WU	25Jan2016	东莞市宇亮电子有限公司 DONG GUAN YU LIANG ELECTRONICS CO.,LTD	
DIMENSIONS: mm		CHEK S. CHIEN	25Jan2016		
TOLERANCES UNLESS OTHERWISE SPECIFIED:		APVD Abel	25Jan2016	NAME 1.25PITCH WAFER 180° TYPE	
 THIRD ANGLE PROJECTION		PRODUCT SPEC —	—	SIZE A4	DRAWING No. YLO28-030
0 PLC ± 0.50 1 PLC ± 0.30 2 PLC ± 0.20 3 PLC ± 0.15 4 PLC $\pm -$ ANGLES $\pm 3'$		WEIGHT —	—	SCALE 1 : 1 SHEET 1 of 1	
CUSTOMER DRAWING					



REVISIONS				
LTR	DESCRIPTION	DATE	DWN	APVD
A	RELEASED	25Jan16	AW	WK



NOTE :

1. MATERIAL:

HOUSING: PA66, UL 94V-0/V-2, WHITE COLOR .

TERMINAL: BRASS.

2. FINISH:

TERMINAL: 80u" MIN. TIN OVER 30u" MIN. NICKEL ON ENTIRE POST.

3. SPECIFICATION NOTES:

CONTACT RESISTANCE: 30 milliohms MAX.

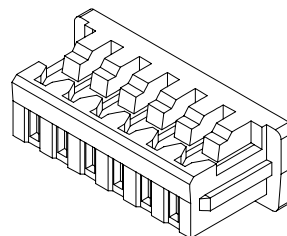
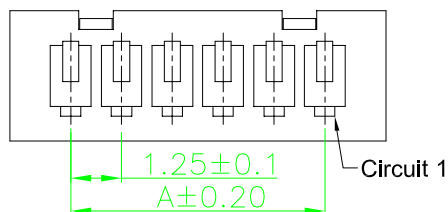
CURRENT RATING: 1A .

DIELECTRIC WITHSTANDING VOLTAGE: 500V.

20.75	18.75	1x15
-	-	-
14.25	11.25	1x10
13.00	10.00	1x9
11.75	8.75	1x8
10.50	7.50	1x7
9.25	6.25	1x6
8.00	5.00	1x5
6.75	3.75	1x4
5.50	2.50	1x3
4.25	1.25	1x2
DIM B	DIM A	PIN No.

TOLERANCE: ±0.05, THICKNESS: 1.6mm
RECOMMENDED PCB LAYOUT
(TOP VIEW)

THIS DRAWING IS A CONTROLLED DOCUMENT.		DWN A. WU 25Jan2016	东莞市宇亮电子有限公司 DONG GUAN YU LIANG ELECTRONICS CO.,LTD									
DIMENSIONS: mm		CHEK S. CHIEN 25Jan2016										
TOLERANCES UNLESS OTHERWISE SPECIFIED:		APVD Abel 25Jan2016	1.25mm pitch WAFER 90° TYPE									
<table border="0"> <tr><td>0 PLC</td><td>± 0.50</td></tr> <tr><td>1 PLC</td><td>± 0.30</td></tr> <tr><td>2 PLC</td><td>± 0.20</td></tr> <tr><td>3 PLC</td><td>± 0.15</td></tr> <tr><td>4 PLC</td><td>± -</td></tr> </table>		0 PLC			± 0.50	1 PLC	± 0.30	2 PLC	± 0.20	3 PLC	± 0.15	4 PLC
0 PLC	± 0.50											
1 PLC	± 0.30											
2 PLC	± 0.20											
3 PLC	± 0.15											
4 PLC	± -											
THIRD ANGLE PROJECTION		WEIGHT -	SIZE A4	DRAWING No. YLO28-XXX								
CUSTOMER DRAWING			SCALE 1 : 1	SHEET 1 of 1								

RoHS
compliant

NOTE :

1. MATERIAL:

HOUSING: NYLON66 UL94V-0 .

2. SPECIFICATION :

CONTACT RESISTANCE: 20 milliohms MAX.

CURRENT RATING: 1A .

DIELECTRIC WITHSTANDING VOLTAGE: 125V AC .



PIN NO.	Dimensions	
	A	B
2P	1.25	4.25
3P	2.50	5.50
4P	3.75	6.75
5P	5.00	8.00
6P	6.25	9.25
7P	7.50	10.50
8P	8.75	11.75
9P	10.00	13.00
10P	11.25	14.25
11P	12.50	15.50
12P	13.75	16.75
13P	15.00	18.00
14P	16.25	19.25
15P	17.50	20.50

THIS DRAWING IS A CONTROLLED DOCUMENT.

DWN
A. WU
01Jan2016CHEK
S. CHEN
01Jan2016APVD
Abel
01Jan2016PRODUCT SPEC
—

WEIGHT

东莞市宇亮电子有限公司

DONG GUAN YU LIANG ELECTRONICS CO.,LTD

NAME

1.25mm pitch Housing

SIZE

A4

DRAWING No.

C=YL028-XXX

CUSTOMER DRAWING

SCALE 1 : 1

SHEET 1 of 1

A	RELEASED	01Jan16	AW	WK
LTR	DESCRIPTION	DATE	DWN	APVD
REVISIONS				



THIRD ANGLE PROJECTION

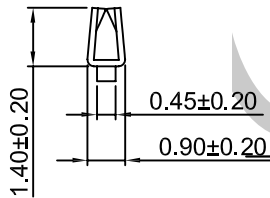
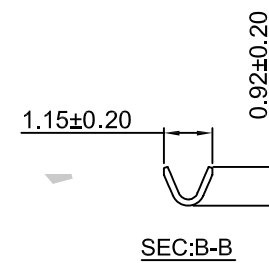
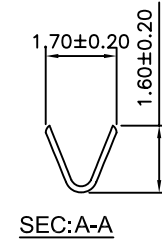
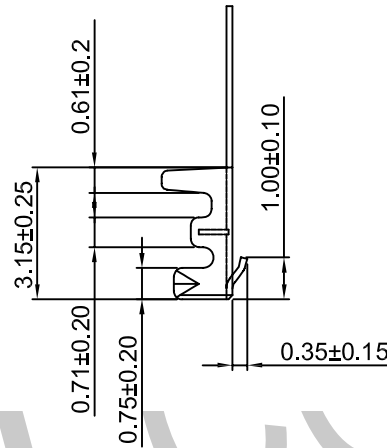
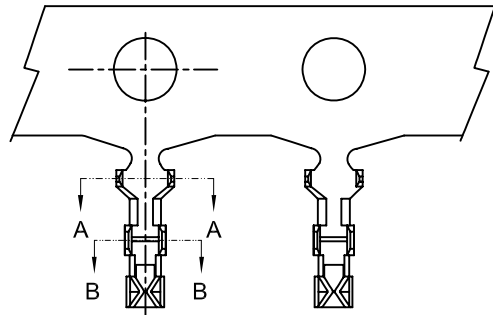
DIMENSIONS:
mmTOLERANCES UNLESS
OTHERWISE SPECIFIED:

0 PLC	± 0.50
1 PLC	± 0.30
2 PLC	± 0.20
3 PLC	± 0.15
4 PLC	± -

ANGLES ± 3°



REVISIONS				
LTR	DESCRIPTION	DATE	DWN	APVD
A	RELEASED	01Jan16	AW	WK



Wire Range	Insulation O.D.	Material	Finish	Qty/reel
AWG#28-#32	1.00mm(max)	Phosphor Bronze	Tin over Nickel	20,000 PCS

THIS DRAWING IS A CONTROLLED DOCUMENT.		DWN A. WU 01Jan2016	东莞市宇亮电子有限公司 DONG GUAN YU LIANG ELECTRONICS CO., LTD	
DIMENSIONS: mm		CHEK S. CHIEN 01Jan2016		
TOLERANCES UNLESS OTHERWISE SPECIFIED:		APVD Abel 01Jan2016	NAME 1.25mm pitch Crimp Terminal	
 THIRD ANGLE PROJECTION		PRODUCT SPEC —	SIZE A4	DRAWING No. C=YL028-XXX
0 PLC ± 0.50 1 PLC ± 0.30 2 PLC ± 0.20 3 PLC ± 0.15 4 PLC ± — ANGLES ± 3°		WEIGHT —	CUSTOMER DRAWING	
		SCALE 1 : 1	SHEET 1 of 1	