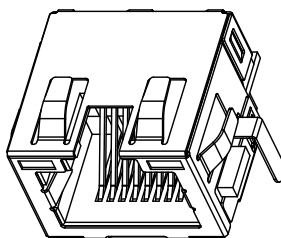
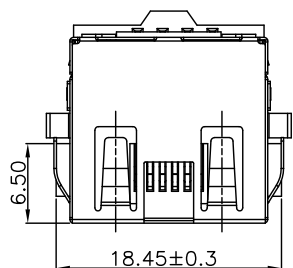




REVISIONS				
LTR	DESCRIPTION	DATE	DWN	APVD
A	RELEASED	01Jan16	AW	WK



NOTES:

1. HOUSING MATERIAL:GLASS FILLED POLYESTER UL94V-0.
2. CONTACT MATERIAL:COPPER ALLOY,T=0.35.
3. PLATING: GOLD PLATED ON CONTACT AREA, 100u"MIN.MATTE TIN PLATED ON SOLDERING AREA, 50u"MIN. NICKEL PLATED OVERALL.
4. SHELL:COPPER ALLOY,T=0.20. 30u"MIN. NICKEL PLATED OVERALL.

ELECTRICAL:

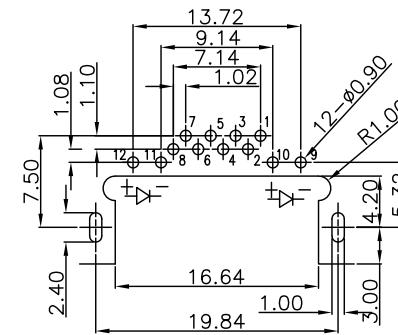
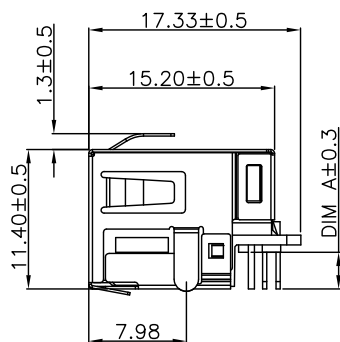
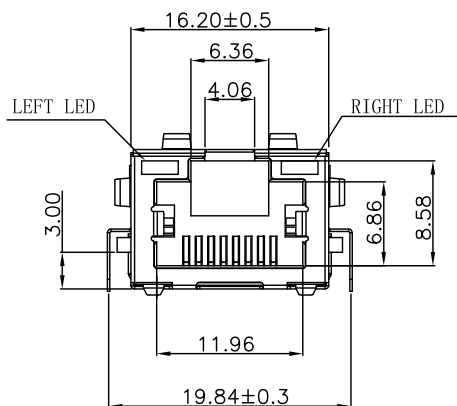
1. VOLTAGE RATING: 125V AC RMS.
2. CURRENT RATING: 1.5AMP.
3. CONTACT RESISTANCE: 30MILLIOHMS MAX.
4. INSULATION RESISTANCE: 500MEGOHMS MIN @500V DC.

MECHANICAL:

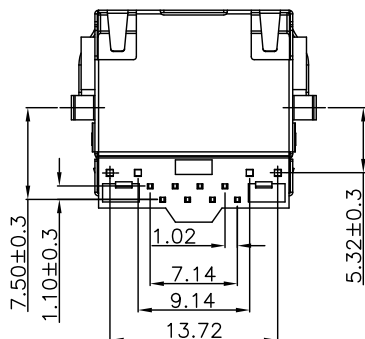
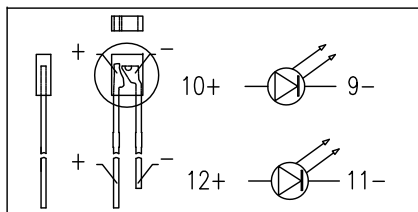
1. DURRABILITY: 750 CYCLES MIN.
2. PCB RETENTION PER-SOLDER: 1LBMIN.

ENVIRONMENTAL:

1. STORAGE: -40°C~85°C
2. OPERATION: 0°C~70°



PCBLAYOUT
TOL:±0.05



YL005-019-XXX
PART NUMBER

THIS DRAWING IS A CONTROLLED DOCUMENT.		DWN A. WU 01Jan2016	东莞市宇亮电子有限公司 DONG GUAN YU LIANG ELECTRONICS CO.,LTD	
DIMENSIONS: mm		CHEK S. CHIEN 01Jan2016		
TOLERANCES UNLESS OTHERWISE SPECIFIED:		APVD Abel 01Jan2016	NAME RJ45 沉板3.0 带弹带灯	
THIRD ANGLE PROJECTION		PRODUCT SPEC —	SIZE A4	DRAWING No. Y=YL005-019
ANGLES ± 3°		WEIGHT —	CUSTOMER DRAWING	
		SCALE 1 : 1	SHEET 1 of 1	