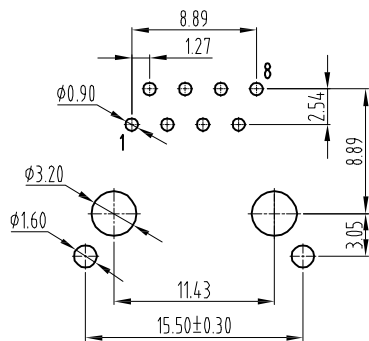
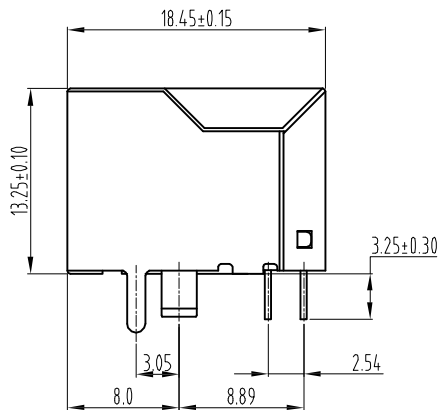
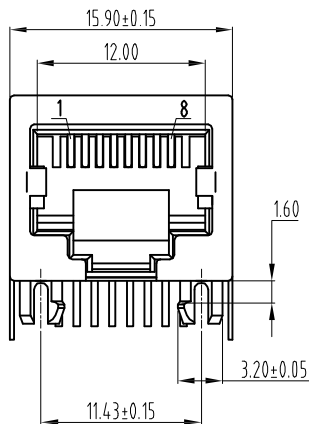
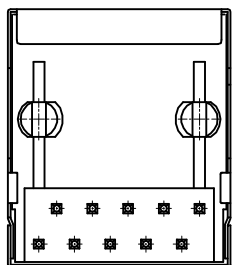




REVISIONS				
LTR	DESCRIPTION	DATE	DWN	APVD
A	RELEASED	03Jan16	AW	WK



RECOMMENDED PCB LAYOUT
(ALL TOLERANCE ARE ±0.05)



NOTES:

MATERIAL:

- 1.HOUSING :GLASS FILLED POLYESTER UL94V-0
- 2.CONTACT (ROUND PIN Ø0.46mm) :PHOSPHOR BRONZE WITH GOLD PLATING OVER NICKEL.
- 3.SHIELD :0.20mm THICKNESS COPPER ALLOY WITH NICKEL PLATED.

ELECTRICAL:

- 1.VOLTAGE RATING :125V AC.
- 2.CURRENT RATING :1.5AMP.
- 3.CONTACT RESISTANCE :30 MILLIOHMS MAX.
- 4.INSULATION RESISTANCE :500 MEGOHMS MIN @ 500V DC.
- 5.DIELECTRIC WITHSTANDING VOLTAGE :1000V AC RMS 50Hz OR 60Hz. 1MIN.

MECHANICAL:

- 1.INSETION FORCE :2.2Kg MAX.
- 2.RETENTION STRENGTH :7.7Kg BETWEEN JACK AND PLUG
- 3.DURABILITY :750 CYCLES MINL.

ENVIRONMENTAL:

- 1.STORAGE : -40℃~+85℃.
- 2.OPERATION : -40℃ TO 85℃.

YL005-009-001

PART NUMBER

THIS DRAWING IS A CONTROLLED DOCUMENT.		DWN A. WU	03Jan2016	东莞市宇亮电子有限公司 DONG GUAN YU LIANG ELECTRONICS CO.,LTD	
DIMENSIONS: mm		CHEK S. CHIEN	03Jan2016		
TOLERANCES UNLESS OTHERWISE SPECIFIED:		APVD Abel	03Jan2016	HY56A SERIES SIDE ENTRY	
 THIRD ANGLE PROJECTION		PRODUCT SPEC	—	SIZE A4	DRAWING No. C=YL005-009
0 PLC ± 0.50 1 PLC ± 0.30 2 PLC ± 0.20 3 PLC ± 0.15 4 PLC ± — ANGLES ± 3°		WEIGHT	—	CUSTOMER DRAWING	SCALE 1 : 1 SHEET 1 OF 1